

# ALU-Ridge

Pedals

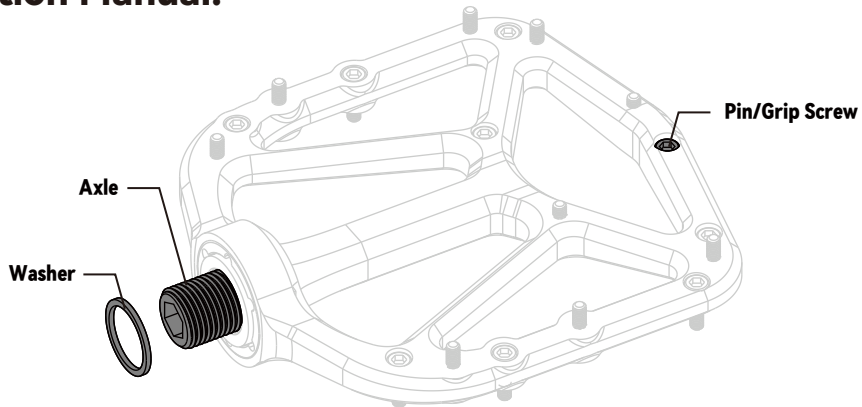
**USER  
MANUAL**



Product Name: LEWIS ALU-Ridge

Product Type: Pedals

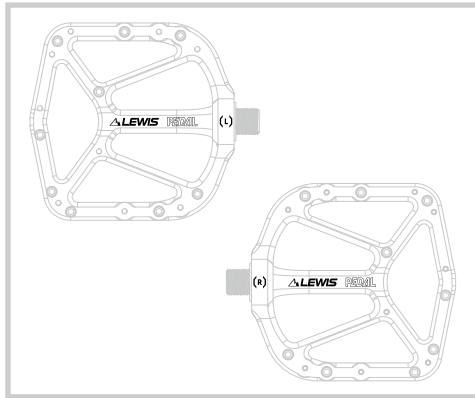
## Instruction Manual:



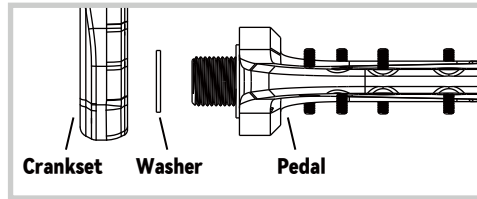


Product Name: LEWIS ALU-Ridge

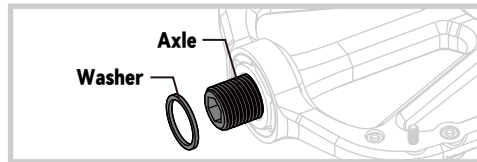
Product Type: Pedals



- **Pay attention to left/right pedal orientation**, do not force installation if fitted incorrectly.



- **Use an 8mm hex key** to secure pedals to crank arms, **torque to 35N·m**.



- **Install a washer** between the crank arm and pedal.

## Safety Information

---

- Please read and review all information carefully before use and always follow the procedures stated in the User's Manual.
- Use caution when using a larger disc brake rotor as it provides a higher braking force.
- The disc brake rotor is sharp enough to inflict severe injury to your fingers if they come in contact with the rotating rotor. The brake may not work properly if the brake lining is contaminated with oil or grease.
- Stop using the brake if the disc brake rotor becomes worn down to thickness limit.
- If fluid leaks occur, immediately stop using the brakes and consult a dealer or an agency.
- Vapor lock may occur if the brakes are applied continuously.
- The wheel may lock if the front brake is applied too strongly.
- The braking distance will be longer in humid weather.
- This brake is designed for downhill or free riding, with higher braking force compared to other brakes. If not familiar with this brake, accidents may occur that can cause serious injury or even death.
- If mineral oil comes into contact with eyes and skin, it may result in irritation. If in contact with eyes, rinse with water and receive immediate medical assistance. Inhalation of vapors or mineral oil mist may cause nausea.
- As the brake disc wears out, the space in the oil circuit increases. Please pay attention to replenishing the oil.
- DO NOT dismantle or modify this product.
- Please keep the User's Manual for future reference.

## Safety Information

---

Check the following before riding the bicycle.

- Is the brake oil leaking?
- Do the front and rear brakes work correctly?
- Does each brake lining have a thickness of 0.5 mm or more?
- Is the disc brake rotor cracked or deformed?
- Are there any abnormal noises?
- Is the brake lever secure?
- Is the brake lever peeling or cracking?

If you notice any potential problem, please contact the place of purchase or a bicycle dealer.

QC PASS



**LEWIS**

**ALL FOR  
CYCLING  
EXPERIENCE**

POWERED BY:



Website: [www.lewisbike.com](http://www.lewisbike.com)

